

SMD Power Inductors - SDB0703 SERIES

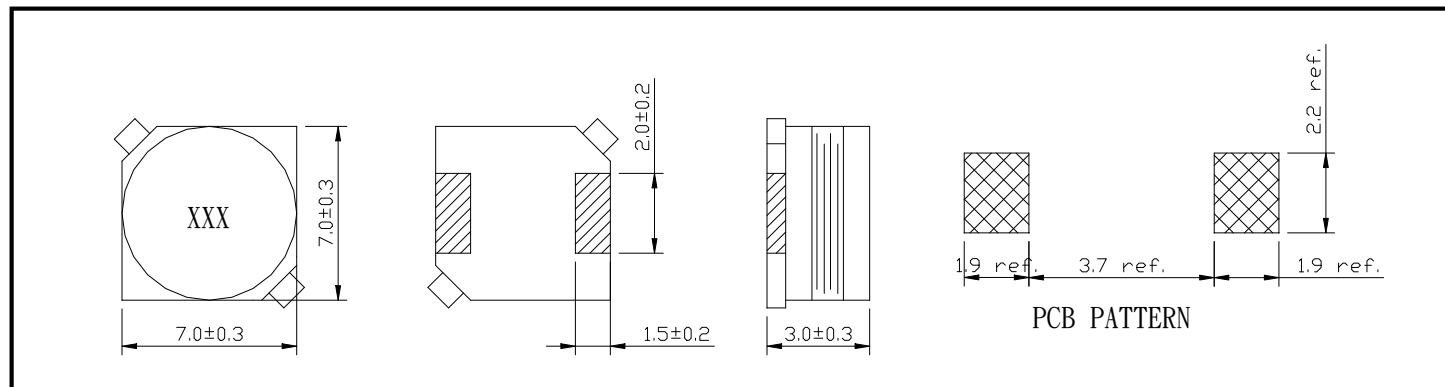


PART NUMBERING SYSTEM

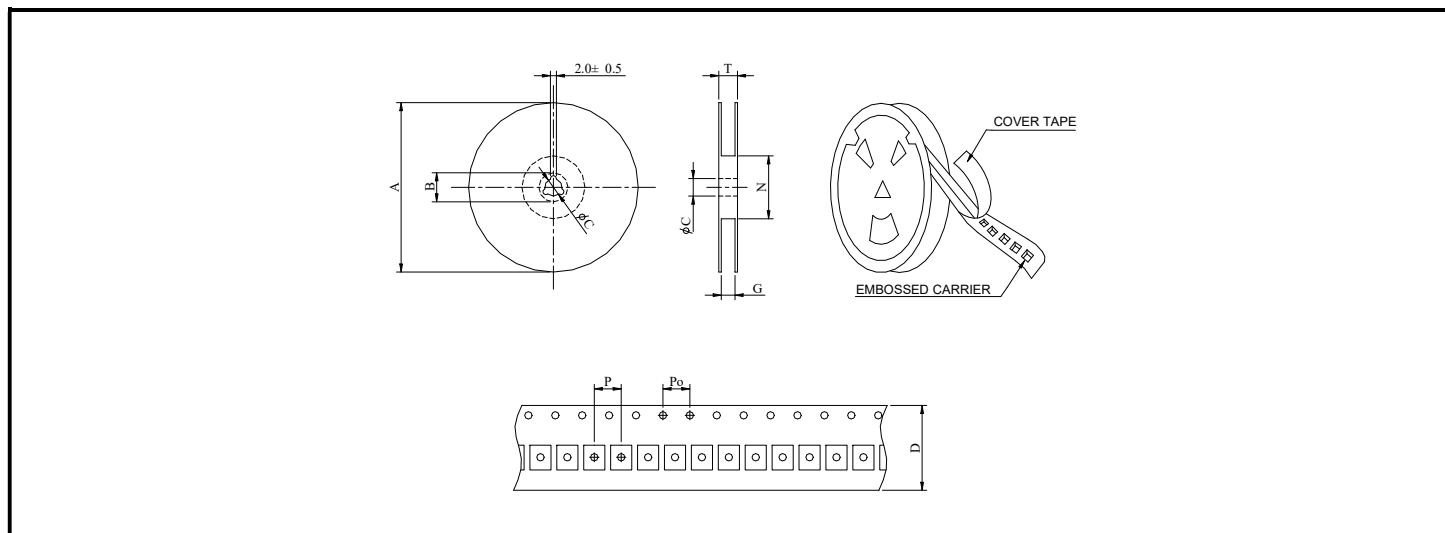
SDB	0703	—	101M	—	LF
TYPE	DIMENSIONS		INDUCTANCE		LEAD FREE

SHAPES AND DIMENSIONS

UNIT : mm



PACKAGING SPECIFICATION



SERIES	STAYLE	Q' TY (PCS)	DIMENSIONS (m/m)								
			A	B±0.8	C±0.5	D	G ⁺⁰	N ⁰	P	Po	T
SDB0703	13-16	1000	330	21	13	16	18	50	12	4	22.4

SPECIFICATION TABLE

PART NUMBER	INDUCTANCE (μ H)	DCR (Ω) (Max.)	IDC (A) (Max.)	TEST FREQ. (Freq.)
SDB0703-1R0M-LF	1.0 \pm 20%	0.020	3.20	100KHz
SDB0703-1R8M-LF	1.8 \pm 20%	0.025	2.80	100KHz
SDB0703-2R2M-LF	2.2 \pm 20%	0.035	2.50	100KHz
SDB0703-3R3M-LF	3.3 \pm 20%	0.040	2.20	100KHz
SDB0703-4R7M-LF	4.7 \pm 20%	0.045	2.00	100KHz
SDB0703-6R8M-LF	6.8 \pm 20%	0.060	1.60	100KHz
SDB0703-100M-LF	10 \pm 20%	0.080	1.40	100KHz
SDB0703-120M-LF	12 \pm 20%	0.085	1.30	100KHz
SDB0703-150M-LF	15 \pm 20%	0.110	1.10	100KHz
SDB0703-180M-LF	18 \pm 20%	0.130	1.05	100KHz
SDB0703-220M-LF	22 \pm 20%	0.150	1.00	100KHz
SDB0703-270M-LF	27 \pm 20%	0.190	0.95	100KHz
SDB0703-330M-LF	33 \pm 20%	0.210	0.85	100KHz
SDB0703-390M-LF	39 \pm 20%	0.270	0.75	100KHz
SDB0703-470M-LF	47 \pm 20%	0.310	0.70	100KHz
SDB0703-560M-LF	56 \pm 20%	0.390	0.65	100KHz
SDB0703-680M-LF	68 \pm 20%	0.430	0.60	100KHz
SDB0703-820M-LF	82 \pm 20%	0.490	0.50	100KHz
SDB0703-101M-LF	100 \pm 20%	0.650	0.45	100KHz
SDB0703-121M-LF	120 \pm 20%	0.700	0.40	100KHz
SDB0703-151M-LF	150 \pm 20%	0.850	0.35	100KHz
SDB0703-181M-LF	180 \pm 20%	1.100	0.33	100KHz
SDB0703-221M-LF	220 \pm 20%	1.250	0.30	100KHz
SDB0703-271M-LF	270 \pm 20%	1.450	0.28	100KHz
SDB0703-331M-LF	330 \pm 20%	2.000	0.25	100KHz
SDB0703-391M-LF	390 \pm 20%	2.250	0.23	100KHz
SDB0703-471M-LF	470 \pm 20%	2.600	0.22	100KHz
SDB0703-561M-LF	560 \pm 20%	3.700	0.20	100KHz
SDB0703-681M-LF	680 \pm 20%	4.300	0.18	100KHz
SDB0703-821M-LF	820 \pm 20%	4.900	0.16	100KHz
SDB0703-102M-LF	1000 \pm 20%	5.600	0.15	100KHz

- DC current at which the inductance drops 10% (typ) from its value without current.
- Operating temperature range -40°C to +125°C
- Electrical specifications at 25°C.
- Product comply with RoHS and REACH requirements
- Halogen free available
- Moisture sensitivity Level 1 (MSL 1)
- Custom versions available
- Flat top for reliable surface mounting